



We're Still There After The Storm



Category 5 Enhanced Gigabit Ethernet DIN RAIL Protectors

CTI- DRJ8 RJ45 to RJ45

CoreTEK Industries, Inc.
1300 White Drive
Titusville, FL 32780

Phone: 321-385-2860
FAX: 321-385-2864
Web: www.citsurge.com
E-mail: info@citsurge.com

Model Descriptions

The CTI RJD8 Series Protectors are stand alone, DIN RAIL mountable. They are available in either Normal (1,500 watt) or Performance (20,000 watt).

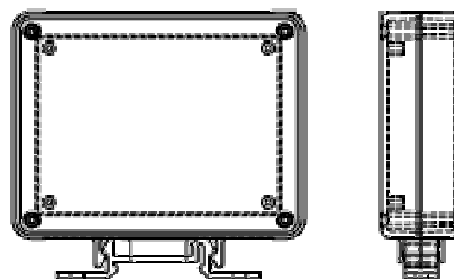
The CTI-RJD8-8-P incorporates GAS Tube instead of the 20,000 watt TVSS diodes.

Material: Flame retardant ABS plastic
 Flame Rating: UL's best flame rating of 94-5VA

SPECIFICATIONS

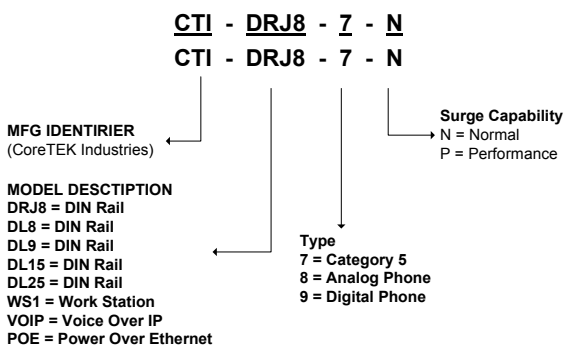
State-of-the Art Avalanche Diode Technology
 High Speed Clamping of the Transient
 High Energy Handling Capability
 Low Shunt Capacitance to Reduce Signal Loss
 Remains Undamaged By Repetitive Transient Strikes

Operating Frequency DC to 155 MHz
 Attenuation < 0.5 dB
 NEXT > 46 dB
 Power Sum NEXT > 43 dB
 Return Loss >26 dB
 ACR > 45 dB
 Power Sum ACT >41 dB
 ELFEXT > 38 dB
 Power Sum ELFEXT > 38 dB
 Peak Wattage 3 to 20 kW / module Clamping Voltage 7.5 to 170 v
 Capacitance < 15 pf
 Response Time < 5 nanoseconds



Dimensions

Length 4.5"
 Height 3.5"
 Width 1.25"



Isolated Loop
 Circuit Protector



CTI - 568A - 1 - P 568A Module, Type 1 (Category 5), Performance
 CTI - 568B - 5 - P 568B Module, Type 5 (Analog Phone), Normal
 CTI - DRJ8 - 9 - N RJ8 DIN RAIL, Type 9 (Digital Phone), Normal

Module	Type	Application	Voltage Range	Surge Capability	Color Code
RJD8-7	7	Category 5E	5 to 7.5V	N or P	Label
RJD8-8	8	Analog Phone	170V	N or P	Label
RJD8-9	9	Digital Phone	57 to 61V	N or P	Label