



DIN RAIL

- | | |
|------------------|-----------------------|
| CTI- DL8 | Screw Terminal |
| CTI- DL9 | DB9 to DB9 |
| CTI- DL15 | DB15 to DB15 |
| CTI- DL25 | DB25 to DB25 |

CoreTEK Industries, Inc.
1300 White Drive
Titusville, FL 32780

Phone: 321-385-2860
FAX: 321-385-2864
Web: www.citsurge.com
E-mail: info@citsurge.com

Model Descriptions

The CTI DL Series Protectors are stand alone, DIN RAIL mountable. They are available in 4 different connector types and either Normal (1,500 watt) or Performance (20,000 watt).

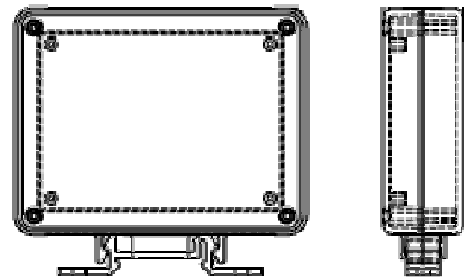
The CTI-DL25 may have pins 1 and 7 either protected or tied to ground connector.

The CTI-xxx-P incorporates GAS Tube instead of the 20,000 watt TVSS diodes.

Material: Flame retardant ABS plastic
Flame Rating: UL's best flame rating of 94-5VA
DIN RAIL models have a five year warranty.

SPECIFICATIONS

State-of-the Art Avalanche Diode Technology
 High Speed Clamping of the Transient
 High Energy Handling Capability
 Low Shunt Capacitance to Reduce Signal Loss
 Remains Undamaged By Repetitive Transient Strikes

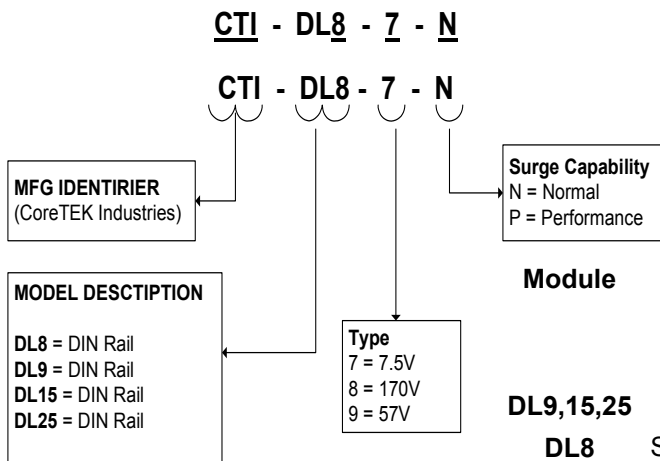


Attenuation < 0.5 dB
 Peak Wattage 1.5 kW to 20 kW
 Clamping Voltage 7.5 to 170 v
 Capacitance < 15pf
 Response Time < 5 nanoseconds

Dimensions

Length 4.5"
 Height 3.5"
 Width 1.25"

Part Matrix



Module	Connector	Application	Voltage Range	Surge Capability	Color Code
DL9,15,25	DBM, DBF	RS232	7, 8, 9	N or P	Label
DL8	Screw Terminal	POS	7, 8, 9	N or P	Label

Isolated Loop
 Circuit Protector



Listed

40ZL